

Ascend Exam Recliner



krug HEALTHCARE 

Ascend Exam Recliner

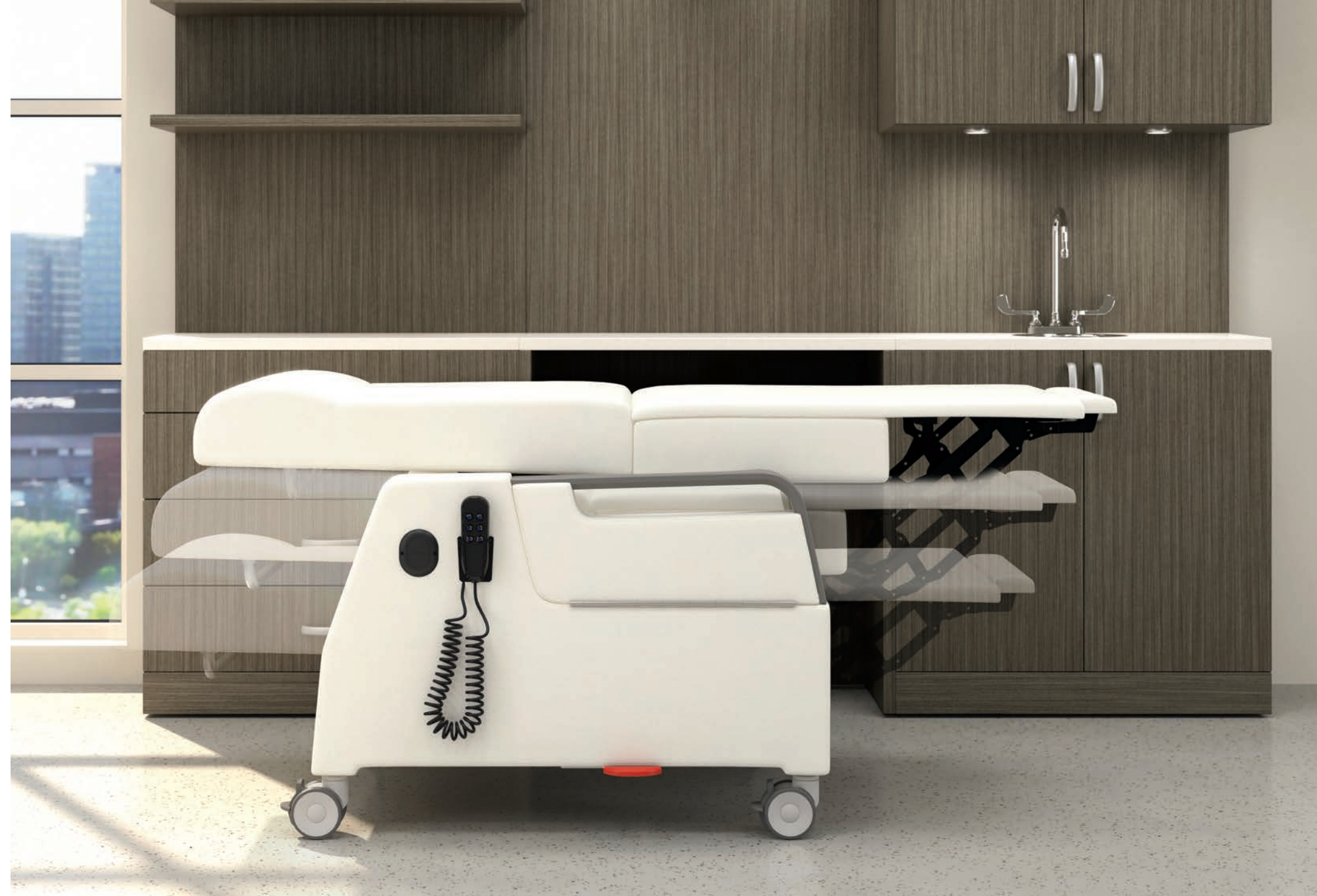
The winner of an unprecedented array of awards and industry accolades, Ascend is a revolutionary step forward in the design and functionality of patient exam environments. It's a patent-pending, breakthrough synthesis of elegant form and innovative function, combining the functions of an exam table and a patient recliner into a single furniture solution - enabling greater efficiency of space, and advancing the provision of care for both patients and caregivers. Better, safer care, while also reducing space and staffing costs, makes Ascend a must-have for forward-thinking healthcare providers.





Ascend gives healthcare providers the capability for performing a highly versatile combination of types of care, in a single setting: patient treatment, sitting and waiting, patient examination, infusion, and a full range of patient/sleep/Trendelenburg recliner positions. Until now, this range of care typically required multiple room settings, movement of patients from room to room, and the overall need for more dedicated space and furniture - and more staff to manage the flow of patients. The innovative utility of Ascend saves time, space and capital cost - while also improving safety and comfort for both patients and caregivers, and reducing caregiver workloads. Ascend enables healthcare providers to give better care with less space, and less staff - a compelling opportunity for acute care, physician and treatment clinics, emergency rooms, medical office buildings, urgent care clinics and infusion spaces.

Ascend Exam





Ascend embraces the patient in ergonomic comfort, with contoured cushioning that is supportive in both the sitting and exam positions. Ascend is adjusted through an infinite range of positions at the touch of a button, with a pendant control that is accessible to both patient and caregiver - enabling effortless continual adjustment to benefit patient comfort during periods of sitting, and exceptional safety for patients going into the exam position, and from there back to the sitting position.

The Ascend Trendelenburg option offers full recline with footrest fully extended. While in Trendelenburg mode the seat-back angle remains at 180 degrees but the back goes from 0 degrees to -10 from vertical - resulting in the feet being above the head. It is activated by a foot-release lever that is accessible from either side of the chair.

Ascend Trendelenburg



Ascend

Ascend is the result of a multi-year R&D process that originated with the request of several leading healthcare providers for a new solution in patient exam settings. We worked closely with several of them to obtain detailed criteria and direction from nursing staffs, facility managers, environmental services, and healthcare space planners - and utilized their continued input as we refined the design and function, the safety and cleaning features, and user/caregiver operational needs. And we incorporated all of the specifications and standards of the ADA Best Practices Guidelines, for both exam tables and recliners - along with UL certification.





Upholstered Arm



Urethane Arm Cap



Solid Surface Arm Cap



Urethane Profile Arm



Solid Surface Profile Arm

Ascend Arm Styles



Ascend Environmental

The use of recycled and recyclable materials, combined with environmentally-friendly production processes and packaging, have made Ascend a level™-certified product, and a contributor to LEED™-driven specifications. Ascend is certified by the Greenguard™ standard for indoor air emissions, and it's unique capability for extending product life makes it a responsible environmental choice - and one that will provide exceptional return on investment over time.

**PUSH BAR**

This is a standard feature on the Ascend Exam Recliner. Ergonomically designed to assist care-giving staff in the movement and operation of the recliner, as well as promote reduced back strain on the care-giver.

**RECLINE CONTROL**

The corded Recline Control can operate the back recline and footrest independently or simultaneously. The Control is housed in a holder at the back left of the side arm (facing) and can be accessed by the patient for position adjustment.

**LIFT CONTROL**

Lift Control provides height adjustment with a range of a 19" seat height up to a 32" exam height. Buttons are located in a fixed location at the back left of the side arm (facing).

**HIGH DURABILITY MECHANISM**

Ascend mechanisms are designed for high-traffic, intensive use in caregiving environments. They are built with high-strength steel and the electronics are IEC 60601-1 compliant.

**SWING AWAY TABLET**

The tablet has the ability to slide up and fold over and rotate 180°. The break-away design allows for the tablet to be pushed away from the patient quickly in case of an emergency.

**FLIP UP TABLET**

The tablet is 18" x 14" x 3/4", and it can be located on either side of the recliner. It is available laminate with a polymer edge. It folds flat (protruding 3" from the side of the recliner when flat).

**IV POLE & HOLDER**

The Ascend IV pole is height adjustable and can be added in the field. It can be located on either the left or right side (facing) at the back of the recliner.

**FOLEY HOOK**

This recessed, retractable hook system provides a mounting system for catheter bags. It is spring-loaded to automatically retract when not in use, to eliminate any hazard.

**CONTINUOUS FOOTREST COVER**

The fixed continuous footrest cover provides an easily cleanable surface. It also provides additional safety when in the upright position. Seat and cover can be replaced if worn or degraded.

**CASTERS**

4" twin wheel locking swivel casters provide quiet and smooth motion when moving Ascend. The lock feature locks both the wheel and swivel.

**CENTRAL CASTER LOCKING SYSTEM**

Allows for single action locking of all four casters at one time. Casters are locked both directionally and rotationally, keeping the recliner in place when locked.

**PATIENT TRANSFER ARM**

Patient Transfer Arms are designed to fold down where the arm is level with the chair seat. This design allows the caregiver to move the patient from the recliner to a bed, or other transport.

**PAPER ROLL HOLDER**

The Paper Roll is located on the back side of the recliner and will accept 18" standard width rolls.

**STIRRUPS**

Stirrups attach to extending rails accessible when the seat is in the exam position and can be positioned at different settings according to leg length.

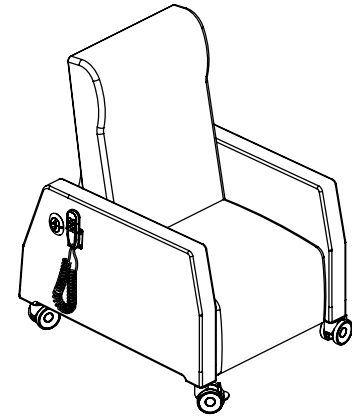
**TRENDELENBURG OPTION**

The Ascend Trendelenburg option offers full recline with footrest fully extended. While in Trendelenburg mode the seat-back angle remains at 180 degrees but the back goes from 0 degrees to -10 from vertical - resulting in the feet being above the head. It is activated by a foot-release lever that is accessible from either side of the chair.

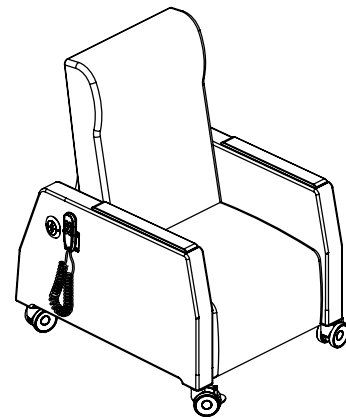
**POWER DOC**

The pop-up Power Doc offers convenient power and USB charging access on demand. Flush with the arm when closed and pops open with a simple touch to the cover. Includes a Hospital grade electrical outlet rated 15A/125VAC and a dual USB charger for USB powered devices.

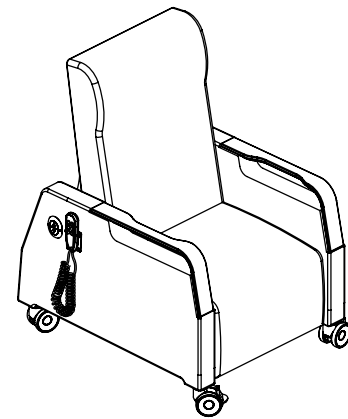
Ascend Exam Recliner



Upholstered Arm

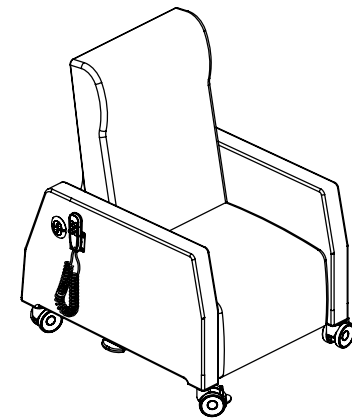


Upholstered Arm with Cap

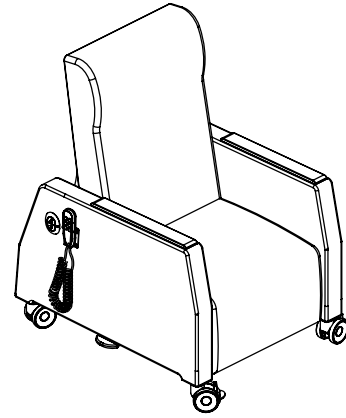


Profile Arm

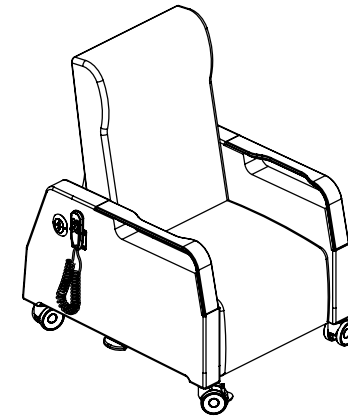
Ascend Exam Recliner with Trendelenburg



Upholstered Arm



Upholstered Arm with Cap



Profile Arm

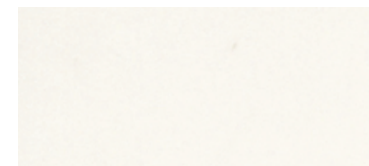
URETHANE/POLYMER COLOR OPTIONS



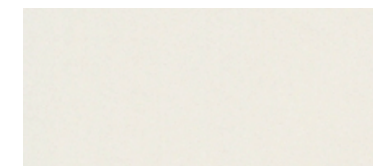
Grey

SOLID SURFACE

GROUP GRADE A - WHITE



Glacier White



Cameo White

GROUP GRADE A - COLOR



Bisque

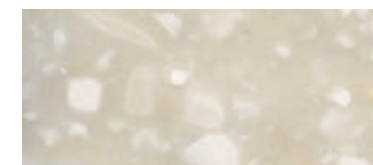


Linen

GROUP GRADE B

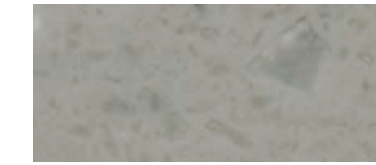


Antarctica

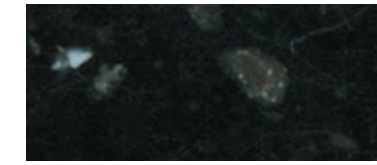


Savannah

GROUP GRADE C



Dove



Deep Night Sky



The mark of responsible forestry



All products are air emissions certified and are available as FSC® certified

krug HEALTHCARE 

solutions@krug.ca | www.krug.ca | 1.888.578.KRUG